



## INSTALLATION GUIDE & USER MANUAL

### iCan75 Range Trimless Kit

#### AFD75/TK/WH & AFD75/TK/BK



**THIS PRODUCT MUST BE INSTALLED WITH PLASTIC SPRING EXTENSION PARTS PRIOR TO INSTALLATION.**

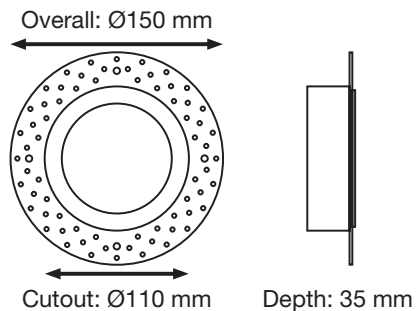
**THEY MUST FACE THE CORRECT DIRECTION (INWARDS TOWARDS CENTRE OF DOWNLIGHT).**

- This product must be installed by a qualified electrical installer.
- All electrical work should be completed in accordance with the latest IET regulations, or any other relevant rules, regulations or laws of the country in which it is being installed.
- Ensure the item is isolated from any form of insulation and is adequately ventilated to prevent premature decay of the LED package.
- Ensure power supply is isolated prior to installation, maintenance or performing any other form of electrical work.
- The company MUST be contacted immediately for advice or swift resolution of any matters concerning any of ALL LED's products.

## Technical Specifications

PRODUCT CODE	AFD75/TK/WH	AFD75/TK/BK
Guarantee	Lifetime	Lifetime
Compatible with	iCan75	iCan75
Finish Colour	Polar White	Carbon Black

## Dimensions (mm)



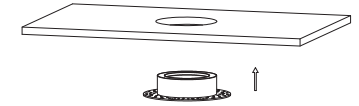
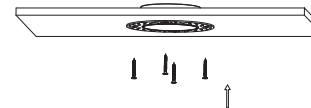
Cutout: Ø110 mm  
Overall: Ø150 mm  
Depth: 35 mm

## Installation Guide

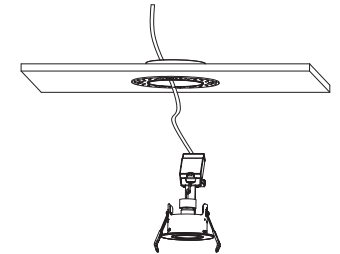
1. We recommend checking the surface is suitable for the product prior to installation.
2. Turn off power supply at source to avoid any risk of electric shock.



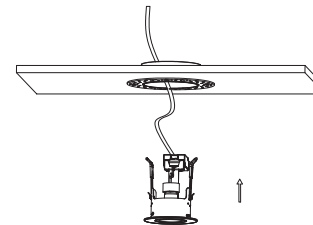
3. Using appropriate techniques cut out a Ø110 mm hole where the luminaire is to be installed.



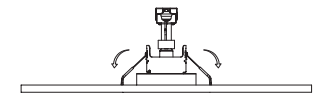
4. Insert the plaster-in kit and decorate the ceiling as preferred.



5. Screw in the plaster-in kit using the screws provided. Assist the spring clips over the metal clips ensuring that the clips are facing DOWNWARDS, pointing towards the centre of the bezel.



6. Wire the product according to relevant regulations.

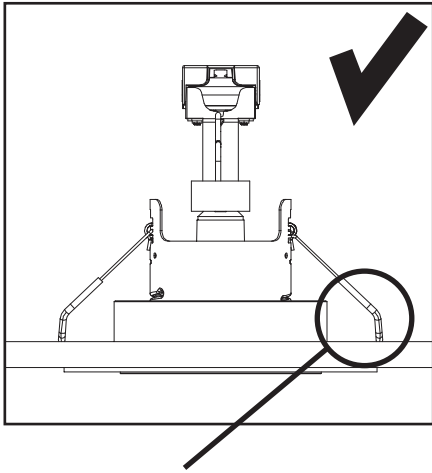


7. Carefully pull back the clips and insert the downlight into the ceiling.

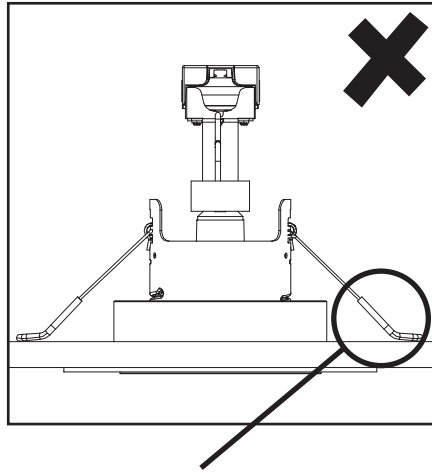
8. Slowly release the downlight into the aperture.



**This Product Must Be Installed With Plastic Spring Extension Parts Prior To Installation. They Must Face The Correct Direction (Inwards Toward Centre Of Downlight)**



**Correct Installation**



**Incorrect Installation**

## Safety

- Do not cover any earth contacts.
- Do not insert foreign objects into the item.
- Do not clean using any solvent based abrasive or aggressive product.
- Do not pull any cables connected to the product.
- Some products including light engines/LEDs and other light sources may become hot in operating, please take care when handling the products.
- The manufacturer will not be deemed liable or held responsible for any damages caused by faults or manufacturing defects that may be present in any of its products or the misuse or incorrect installation of this device. Please refer to our troubleshooting guide for further information.
- The manufacturer will not be held liable for any death(s) or injuries caused by misuse or poor installation or any unreported faults of this product version or versions thereof.
- Do not connect to a temporary electricity supply, this may damage the electronics.

**⚠ ENSURE POWER SUPPLY IS OFF WHEN HANDLING ANY ELECTRICAL EQUIPMENT.**

## Returns & Faulty Items

- If any problem is encountered during or after installation, please call ALL LED technical department to get the problem resolved as soon as possible.
- Please do not just return the item to the outlet you purchased it from, as you are only entitled to a replacement or refund after the unit has undergone testing and the unit has been confirmed as having a manufacturing defect/fault. Your statutory rights are not affected.
- The manufacturer will not be deemed liable or held responsible for any damages caused by faults or manufacturing defects that may be present in any of its products or the misuse or incorrect installation of this device.
- All installations must be carried out in accordance with this installation guide and user manual.
- All goods are supplied under the terms and conditions of ALL LED LTD, a copy of which may be obtained upon written request.



**ALL LED cannot be held responsible for failure to install the clips as per the instruction manual.**



ALL LED LTD  
42 Sedgwick Road,  
Luton, LU4 9DT

www.allledgroup.com  
sales@allledgroup.com  
Tel: +44 (0)208 841 9000

Environmental Protection  
Waste electrical products should not be disposed of with household waste. Please recycle where facilities exist. Check with your Local Authority or retailer for recycling advice



ISOLATE MAINS SUPPLY  
BEFORE HANDLING ANY  
ELECTRICAL PRODUCTS

The manufacturer will not be deemed liable or held responsible for any damages caused by faults or manufacturing defects that may be present in any of its products or the misuse or incorrect installation of this device  
Your statutory rights are not affected.

